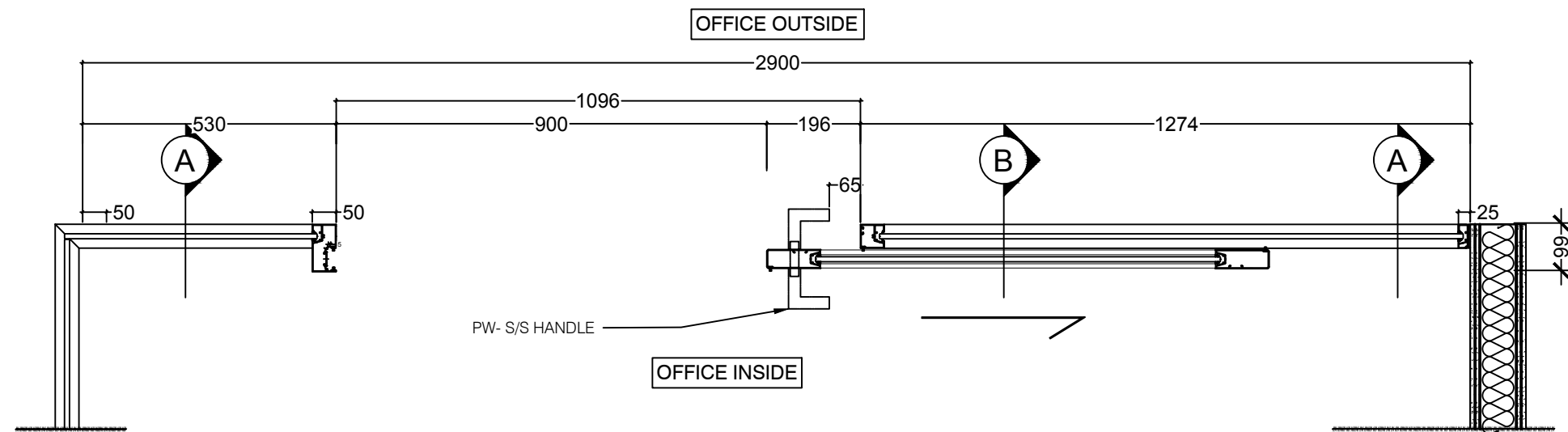


01 PLAN SECTION
E1 SINGLE GLAZED WITH CORNER POST & SLIDING DOOR



02 PLAN SECTION
E2 SINGLE GLAZED MULLIONS WITH NO CORNER POST & SLIDING DOOR

THIN 50

REV	DESCRIPTION	DATE
A	FOR Review	06/07/21

PANELWALL AUSTRALIA PTY LTD
 14 / 63 NORMAN STREET
 PEAKHURST, NSW 2210
 PHONE:02 9435 0347



PROJECT :
 PANELWALL
 STANDARD DRAWING
 THIN 50

TITLE :
 PLAN SECTION
 SLIDING GLASS DOOR
 WITH GLAZED RETURN WALL

SCALE :	1 : 10 (A3)
DESIGNED BY :	ROBERT WALL
DRAWN BY :	ANDREW PHANG
CHECKED BY :	CRAIG BRICKNELL
APPROVAL BY :	CRAIG BRICKNELL
DRAWING NO.:	PW-STD-NL-SLD-PS-01