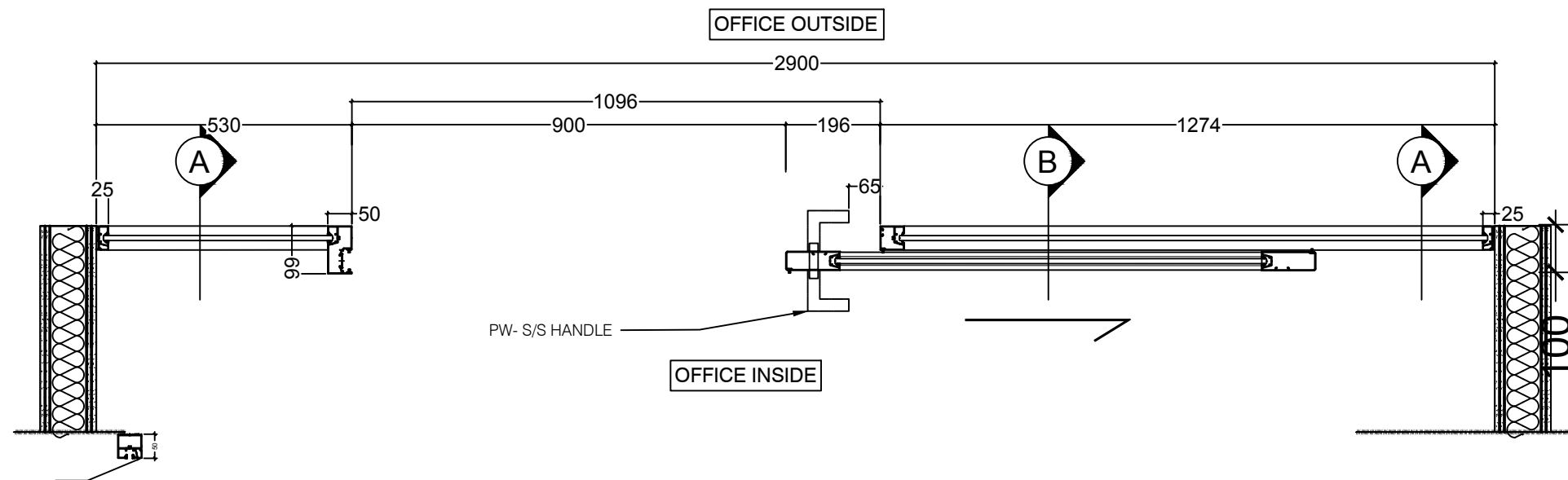


01 PLAN SECTION
E3 SINGLE GLAZED & SLIDING DOOR



01 PLAN SECTION
E3 SINGLE GLAZED & SLIDING DOOR

THIN 50

REV	DESCRIPTION	DATE
A	FOR Review	06/07/21

PANELWALL AUSTRALIA PTY LTD
14 / 63 NORMAN STREET
PEAKHURST, NSW 2210
PHONE:02 9435 0347



PROJECT :

PANELWALL
STANDARD DRAWING
- THIN 50 -

TITLE :
PLAN SECTION
SLIDING GLASS DOOR
BETWEEN PLASTERBOARD
WALLS

SCALE :	1 : 10 (A3)
DESIGNED BY :	ROBERT WALL
DRAWN BY :	ANDREW PHANG
CHECKED BY :	CRAIG BRICKNELL
APPROVAL BY :	CRAIG BRICKNELL
DRAWING NO.:	PW-STD-NL-SLD-PS-02